

LED MR16

4W replacement for 20W Halogen

Product information

This range provides fantastic energy saving versus halogen offering multiple beam angles and two colour temperatures to suit most professional lighting needs.

Features

- 4W - 20W equivalent
- 25,000 hours life
- Mercury free
- Lumen range from 180-200
- 2700K & 3000K
- 15, 25 & 36 degree beam angles

Application areas

LED MR16 lamps have massive energy savings versus traditional lamps. Coupled with long life, they are superb replacements where standard incandescent or halogen lamps are in use such as: accent, display and general lighting applications in a commercial, industrial or residential environments.



IEC Standards

EN 60968:1990 + A1:1993 + A2:1999 - Specification for self-ballasted lamps for general lighting services. Safety requirements

EN 62471:2008 - Photobiological safety of lamps and lamp systems

IEC/ TR 62471-2: 2009 - Photobiological safety of lamps and lamp systems - Part 2: Guidance on manufacturing requirements relating to non-laser optical radiation safety

IEC/EN 62031:2008 - LED modules for general lighting. Safety specifications

EN 55015:2006+A1:2007+A2:2009 - Limits and methods of measurement of radio disturbance characteristics of electrical lighting and similar equipment

EN 61547:1995+A1:2000 - Specification for equipment for general lighting purposes. EMC immunity requirements



Basic data

LED MR16 4W lamps have the following common features

- 12V with power factor 0.55
- Complete range with CRI >80
- Efficiency from 45lm/W to 50lm/W
- Operating temperature $\geq -20^{\circ}\text{C}$ to $\leq 40^{\circ}\text{C}$

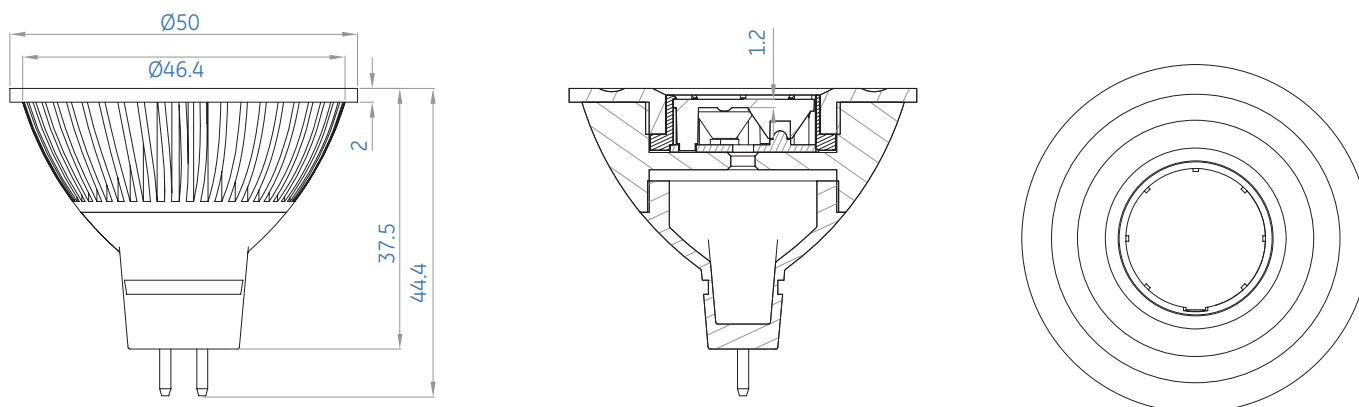
Specification summary

Watt [W]	Volt [V]	Cap	Product description	Candela	Lumen [lm]	Beam angle	CCT [K]	CRI [Ra]	Life [h]	Diameter [mm]	Length [mm]	Pack Qty	SKU
4	12	GU5.3	LED 4/MR16/827/12V/GU5.3/FL	760	190	25	2700	80	25000	50	46	1/8	63633
4	12	GU5.3	LED 4/MR16/827/12V/GU5.3/SP	1550	190	15	2700	80	25000	50	46	1/8	63634
4	12	GU5.3	LED 4/MR16/827/12V/GU5.3/WFL	400	180	36	2700	80	25000	50	46	1/8	63635
4	12	GU5.3	LED 4/MR16/830/12V/GU5.3/SP	1600	200	15	3000	80	25000	50	46	1/8	63636
4	12	GU5.3	LED 4/MR16/830/12V/GU5.3/FL	780	200	25	3000	80	25000	50	46	1/8	63637
4	12	GU5.3	LED 4/MR16/830/12V/GU5.3/WFL	420	190	36	3000	80	25000	50	46	1/8	63638

Lumen maintenance at rated life

> 70% Lumen output by 90% of lamps at 25,000 hours

Dimensions



Operation and maintenance

- Store and use the lamps the same way as traditional halogen lamps.
- Check your fixtures are properly wired and don't deliver voltage spike to lamps causing overheating/failure.
- Lamps should be kept free from contamination.
- Good condition of the lamp-holder contacts is important to ensure proper operation of lamp.
- Ensure lamp is cool before removing.
- Switch off mains supply before installing/removing lamp.
- Please visit our website for list of compatible transformers.
- Not for use in totally enclosed recessed fixtures.
- Non-dimmable

All GE LED Lamps are covered by a 3 to 5 year limited warranty under the terms set out the website: gelighting.com/eu/led.